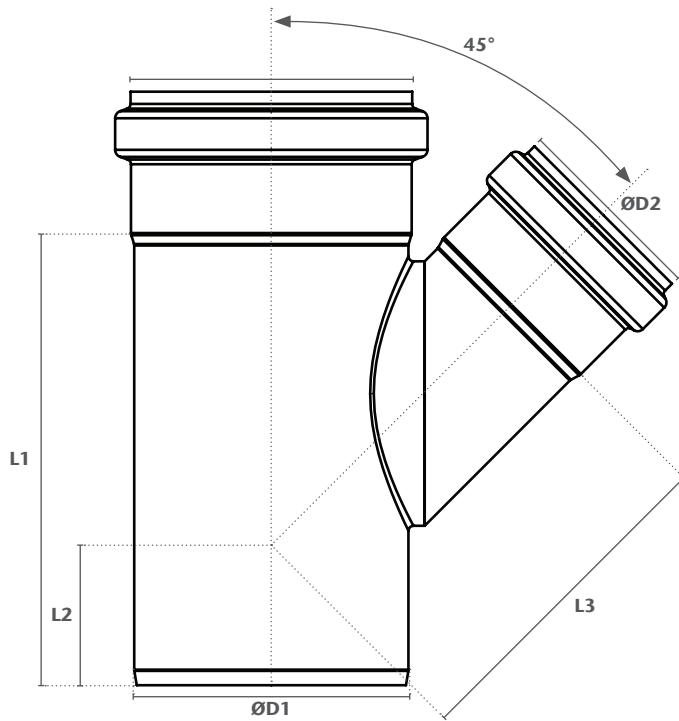


Single Reduction Wye Spec Sheet



Part No.	Length (L1) in (mm)	Length (L2) in (mm)	Length (L3) in (mm)	ØD1 in (mm)	ØD2 in (mm)	Gasket Material	Pipe Material	Weight lbs
417408	4.69 (119)	2.17 (55)	2.80 (71)	1.97 (50)	1.57 (40)	EPDM	316L	0.7
417447	4.49 (114)	2.21 (56)	3.71 (94)	2.95 (75)	1.57 (40)	EPDM	316L	0.7
400663	5.67 (144)	2.21 (56)	3.71 (94)	2.95 (75)	1.97 (50)	EPDM	316L	0.7
400667	5.79 (147)	1.66 (42)	4.69 (119)	4.33 (110)	1.97 (50)	EPDM	316L	1.1
400671	7.17 (182)	2.37 (60)	5.32 (135)	4.33 (110)	2.95 (75)	EPDM	316L	2.2
419766	7.88 (200)	2.56 (65)	5.56 (141)	4.92 (125)	2.95 (75)	EPDM	316L	2.5
419770	9.85 (250)	3.55 (90)	6.30 (160)	4.92 (125)	4.33 (110)	EPDM	316L	2.5
400701	13.08 (332)	4.69 (119)	7.49 (190)	6.30 (160)	4.33 (110)	EPDM	316L	5.8
419425	14.14 (359)	4.85 (123)	9.85 (250)	7.87 (200)	6.30 (160)	EPDM	316L	10.2
417116	16.89 (429)	6.89 (175)	12.09 (307)	9.84 (250)	7.87 (200)	EPDM	316L	16.8
417211	20.20 (513)	5.87 (149)	15.04 (382)	12.40 (315)	9.84 (250)	EPDM	316L	30.8

Specification Summary

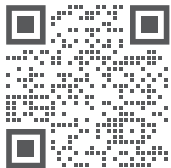
Used with ACO Pipe System. Made from AISI 316L. Resistant to thermal and dynamic shocks. Rodent-proof and sagproof. Non-combustible. Double-lipped seal push-fit connection. Designed for gravity piping system with maximum working pressure of 0.5 bar. Socket clamps, NBR and FPM gasket material also available upon request. Socket clamp can increase maximum operating pressure to 0.7 bar.

ACO recommends checking local plumbing codes prior to installation. Manufactured to EN 1124-1 and 1124-2.

ACO, Inc.

© January 2026 ACO, Inc.

All reasonable care has been taken in compiling the information in this document. All recommendations and suggestions on the use of ACO products are made without guarantee since the conditions of use are beyond the control of the company. It is the customer's responsibility to ensure that each product is fit for its intended purpose and that the actual conditions of use are suitable. ACO, Inc. reserves the right to change products and specifications without notice.



info@acousa.com
www.acousa.com

